

Centurion

Safety Shower & Eye Washer

Technical Data Sheet

Safety Shower & Eye Washer

Model:SS-S100



The combination safety shower & eyewash unit saves space and fits easily into any work environment, allow workers to flush away hazardous substances that can cause injury. The shower valve operates quickly by a pull rod with a round handle. Shower provides a superior washdown with a more even spray pattern. Eyewash operated by a large, attractive push handle. safe, steady water flow under varying water supply conditions from 0.2-0.8 Mpa is assured by integral flow control valve assembly.

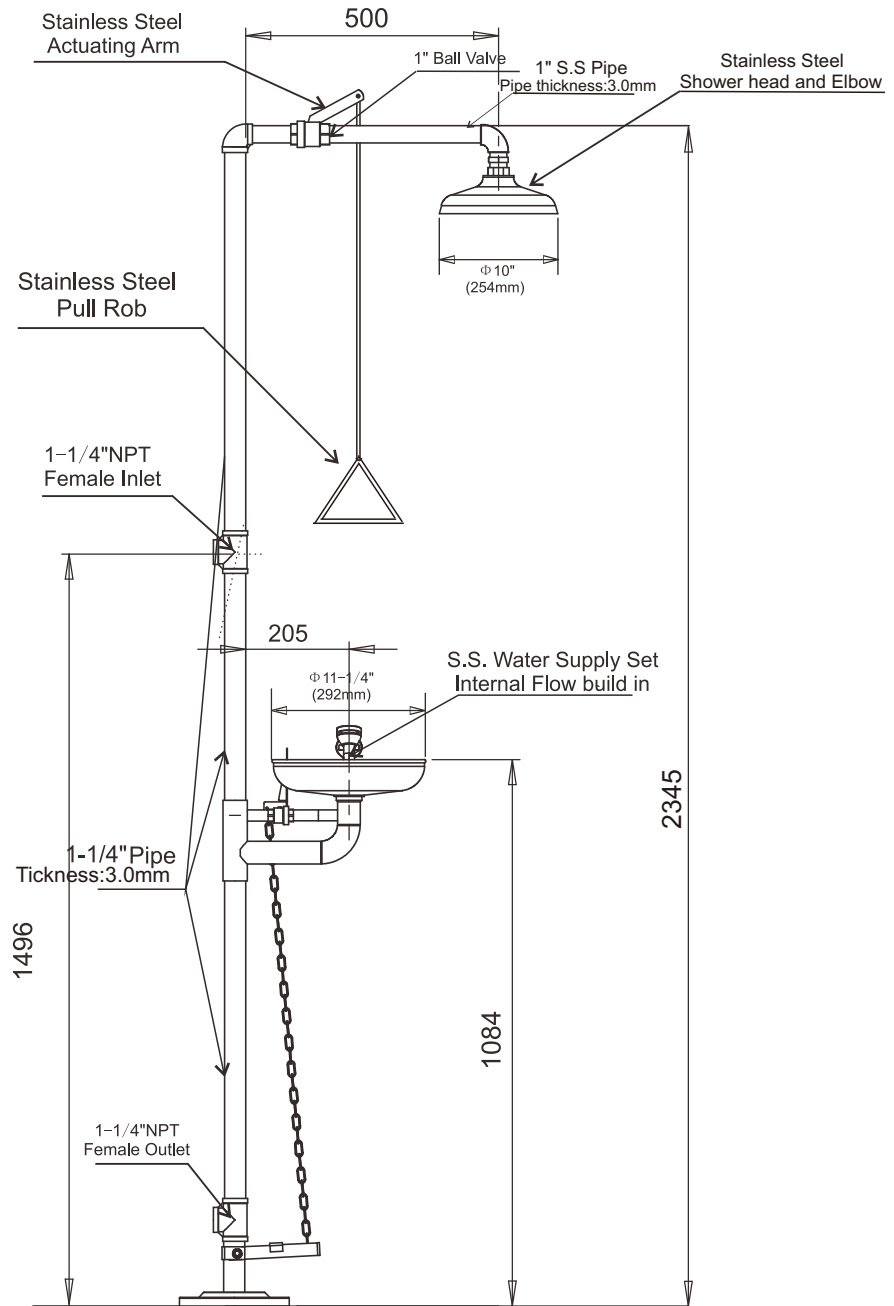
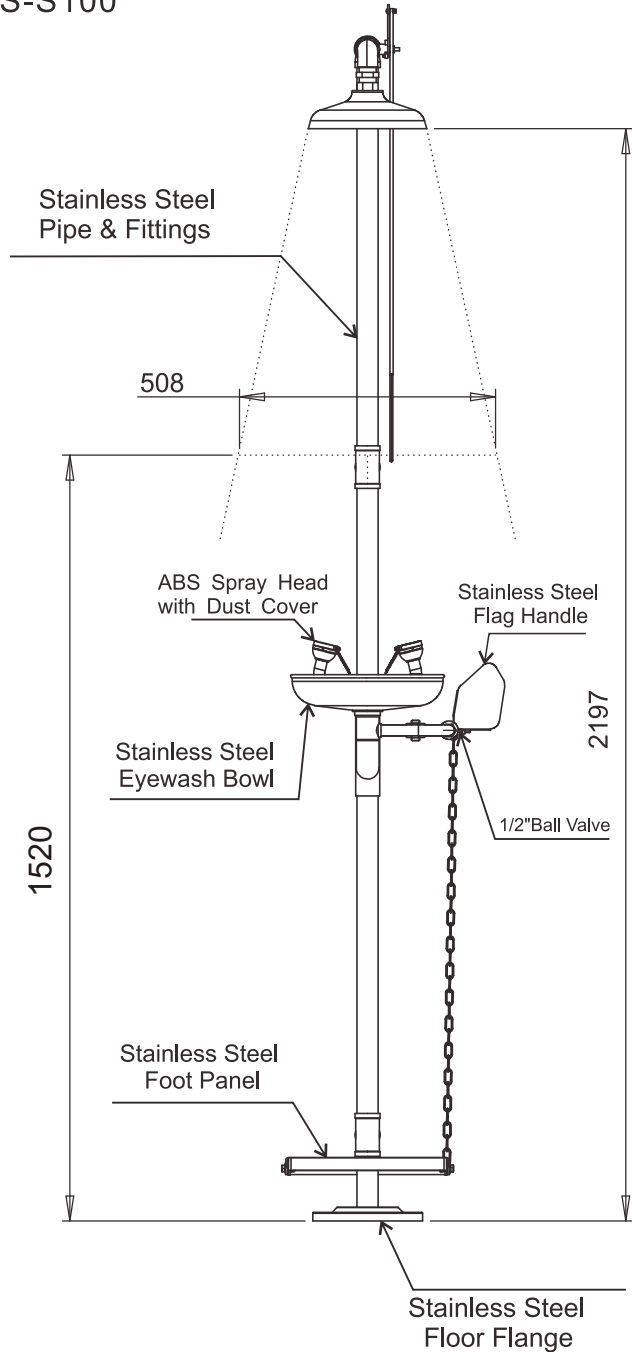
Technical Details:

1. **Material:** 304 Stainless Steel
2. **Shower Head/Bowl:** 304 Stainless Steel
3. **Shower Handle:** 304 Stainless Steel
4. **Spray Head:** ABS plastic in safety green color
5. **Valve:** Shower valve is making of 1" SS ball valve.
Eyewasher valve is making of 1/2" SS ball valve
6. **Pedestal:** 304 Stainless Steel
7. **Foot treadle:** 304 Stainless Steel
8. **Flow Valve build in to avoid secondary hurt**
9. **Water working pressure:** 0.2MPA-0.8MPA
10. **Flow control:** 76L/Min
11. **Standard:** EN 15154-1&2:2006, AS 4775:2007, ANSI Z358.1-2014
12. **Gross Weight:** 18.8KGS, **Net Weight:** 17.5KGS
13. **Dimension:** 91cm*41cm*30cm

Safety Shower & Eye Washer

Model:SS-S100

Unit:mm



Standard Meet:ANSI Z358.1-2014
EN 15154-1&2:2006
AS 4775:2007