

Centurion

Eye Washer

Technical Data Sheet

Eye Washer

Model:SS-E100

The pedestal mounted eye/face wash, with a 304 stainless steel bowl, ABS plastic eye/face wash spray heads, an inline strainer, a stay-open 1/2" ball valve with a push handle and a hand foot control. The eye washer and valve assembly is pre-built and fully water/pressure tested to ensure no leaks and proper function which ultimately reduces installation time and gives the end contractor an added peace of mind. The Eye Washer unit that complies with EN 15154-1&2:2006, AS 4775:2007, ANSI Z358.1-2014 performance requirements.



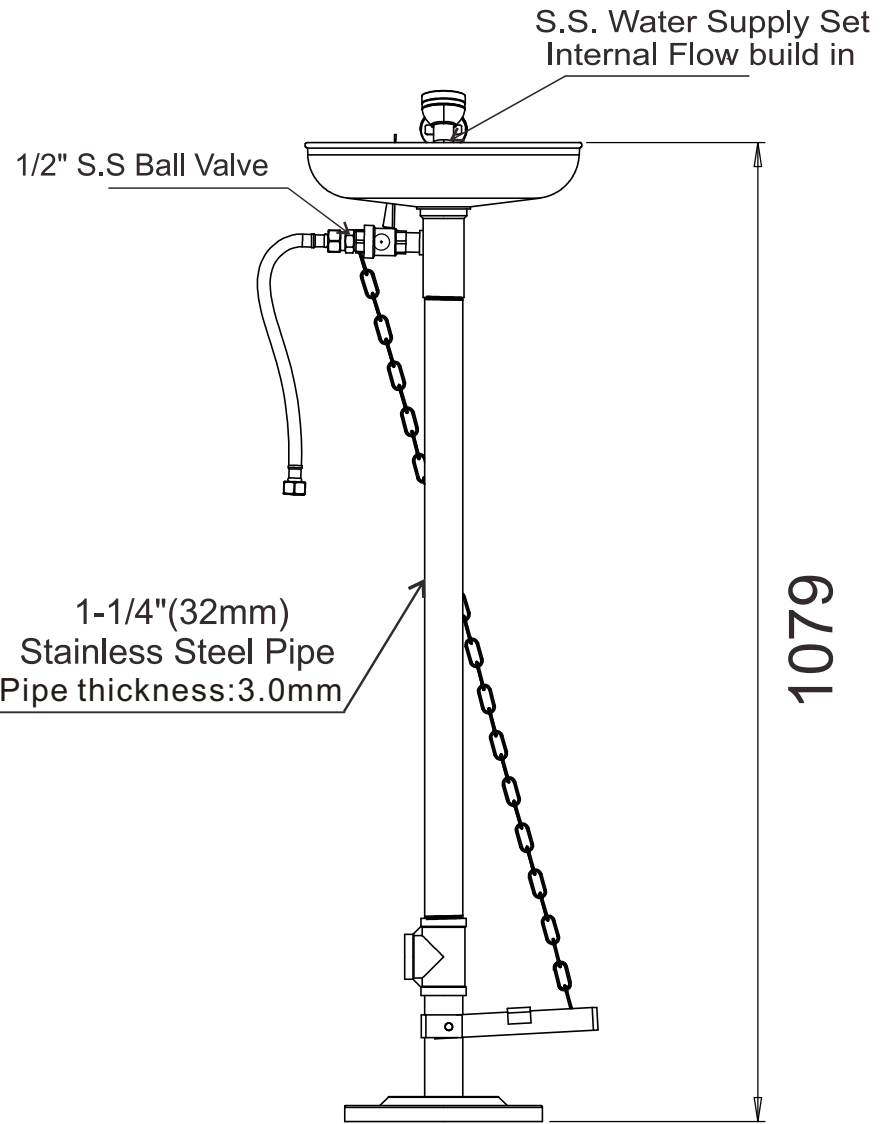
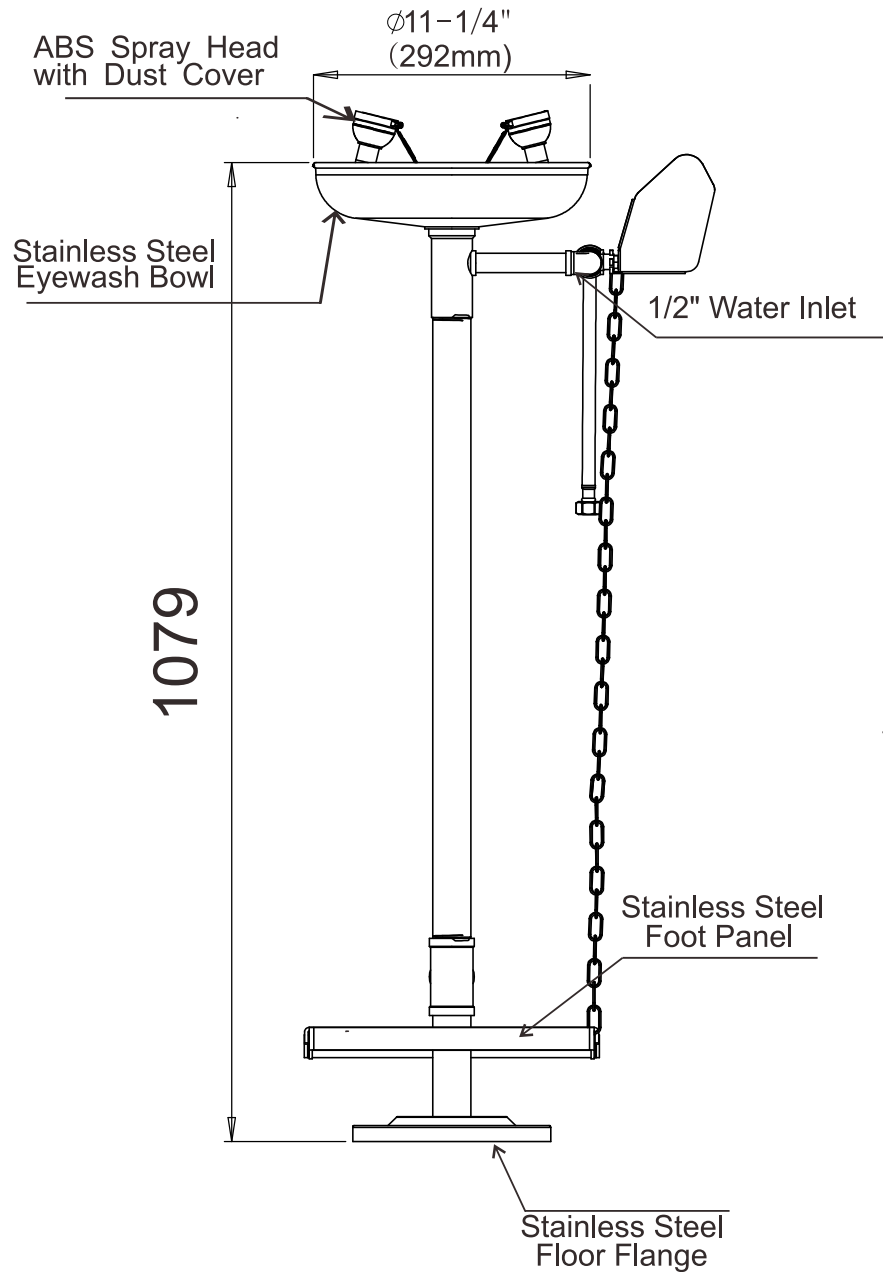
Technical Details:

1. **Material:**304 Stainless Steel
2. **Bowl:**304 Stainless Steel
3. **Spray Head:**ABS plastic in safety green color
4. **Valve:**Eyewasher valve is making of 1/2"SS ball valve
5. **Pedestal:**304 Stainless Steel
6. **Foot treadle:** 304 Stainless Steel
7. **Flow valve build in to avoid secondary hurt**
8. **Water working pressure:**0.2MPA-0.8MPA
9. **Flow control:**11.5L/Min
10. **Standard:**EN 15154-1&2:2006, AS 4775:2007, ANSI Z358.1-2014
11. **Gross Weight:**11.4KGS,Net Weight:10KGS
- 12.**Dimension:**91cm*41cm*30cm

Stainless Steel Eye Washer

Model:SS-E100

Unit:mm



Standard Meet:ANSI Z358.1-2014
EN 15154-1&2:2006
AS 4775:2007